

COMBi-CBE

The innovative Combi-CBE is designed to increase productivity, improve safety and help increase your storage capacity both indoors & outdoors.

COMBiLiFT

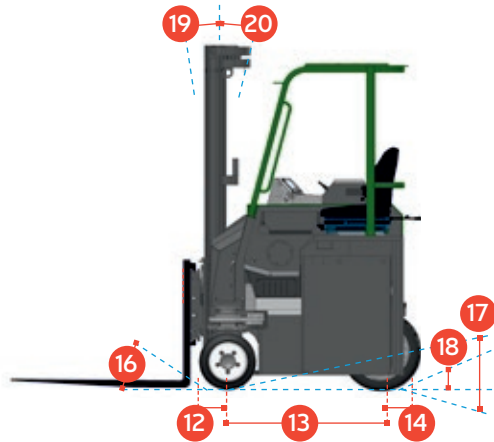
LIFTING INNOVATION



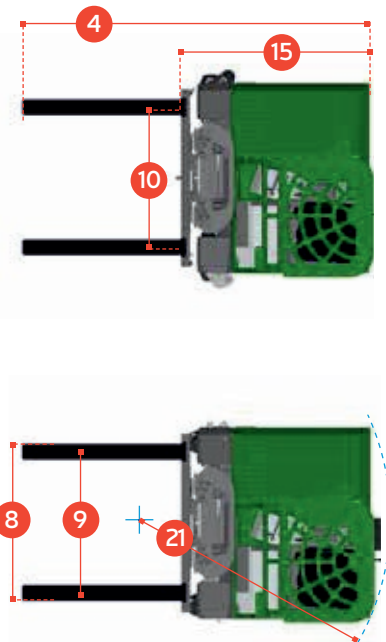
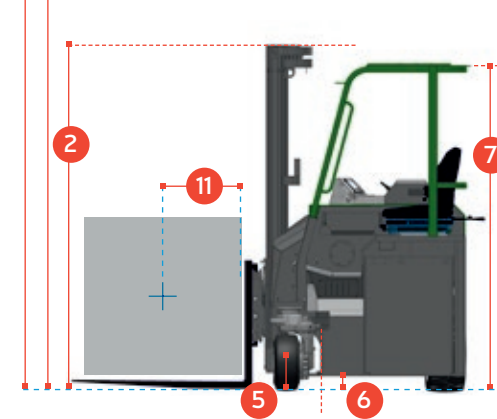
ncnielsen

COMBi-CBE

FRONTAL MODE



SIWARD MODE



REF.	DESCRIPTION	STD.		OPTION	
1 a	Max. Lift Height	4000mm	4900mm	5500mm	6000mm
1 b	Free Lift Height	0mm	1318mm	1518mm	1683mm
2	Height Mast Closed	2670mm	2243mm	2443mm	2610mm
3	Max. (Mast raised)	4850mm	5778mm	6378mm	6878mm
4	Overall Length	2595mm / 2675mm			
5	Ground Clearance Under Mast	125mm			
6	Ground Clearance to Wheelbase Centre	100mm			
7	Height of Overhead Guard	2250mm			
8	Width	1500mm			
9	Outside Spread of Fork Arms	1325mm			
10	Track Front	1320mm			
11	Load Centre Distance	600mm			
12	Overhang Front	280mm			
13	Wheelbase	1070mm			
14	Overhang Back	150mm			
15	Length From Face of Fork	1500mm / 1580mm			
16	Approach Angle	30°			
17	Ramp Angle	15°			
18	Departure Angle	30°			
19	Forward Tilt	3°			
20	Backward Tilt	5°			
21	Minimum Outside Radius	1400mm			

A	Capacity	2500 kg / 3000 kg
B	Unladen Weight	6500 kg / 6800 kg
C	Maximum Ground Speed	11 km/h
D	Gradeability	10%
E	Battery Capacity	48 V / 930 Ah
F	AC Electric Traction Motor x 2	48 V / 5 kW
G	AC Electric Pump Motor	48 V / 14 kW
H	Fork Section	125mm x 50mm x 1065mm
I	16 x 7 – 10.5 Front Tyre x 2	OD 406mm / Width 178mm
J	22 x 10 x 16 Rear Tyre x 1	OD 559mm / Width 254mm
K	Standard Colour	Green and Grey
L	Suspension Seat	Grammer MSG 65

Multi-Directional



Features Include:

- +/- 100mm side shift
- Load sensing steering
- 4-Way lever positioning of wheels
- System Communication via CAN-BUS
- Multi-directional operation
- 2 Wheel Electric Drive
- Powered by AC Technology

ncnielsen

Nørregade 66

7860 Balling

Telefon 99 83 83 83

www.nc-nielsen.dk • info@nc-nielsen.dk

Protected by Design Registration Copyright: European Community No.: 000725668-0001|US No.: D579, 624| Canadian No.: 123292|Australian No.: 318370| Russian Federation No.: 70814 |Korean No.: 30-0516087| Japanese No.: 1330896|Taiwan No.: D126056| Chinese No.: ZL200730329732.6

COMBLIFT HAS A POLICY OF CONTINUOUS PRODUCT DEVELOPMENT AND RESERVES THE RIGHT TO ALTER SPECIFICATIONS WITHOUT PRIOR NOTICE. SPECIFICATIONS AND/OR DIMENSIONS MAY VARY FROM THOSE ILLUSTRATED IN SOME COUNTRIES.

nc-nielsen.dk